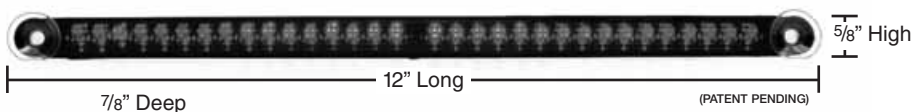


# BRAKELIGHTER™

LOW PROFILE THIRD LIGHT FOR CLASSIC CARS

## INSTALLATION & WIRING GUIDE



Model TL12

**12 Volt**

**J & L Enterprises, Inc.**

83 Hopkins Road  
Ellington, CT 06029

Tel: 860-916-3582

Email: [jsbieback@sbcglobal.net](mailto:jsbieback@sbcglobal.net)

# DESCRIPTION

## of the BrakeLighter™ Operation

When properly connected, the BrakeLighter will turn “on” when you apply your brakes. If you have directional signals, the left and right half of the BrakeLighter will flash accordingly to which direction you are signaling. If you activate your four way flashers the BrakeLighter will flash also. The BrakeLighter will do everything your present brake lights are doing but function as a third light.

# PARTS LIST

## for the BrakeLighter

ITEM No.	DESCRIPTION	QUANTITY
1	BrakeLighter with 10 Foot Wire (22-gauge)	1 – 12 volt
2	“T” Tap 12-gauge (Yellow)	2
3	Male Connector 22-gauge (Red)	2
4	Fork Terminal	1
5	Suction Cup (High Quality UV Resistant)	2
6	Double Faced Adhesive Dot (Very High Bond)	4
7	Hole Cover	2
8	Wire Sheath Shrink Tubing	2
9	Instruction Booklet	1

# TOOLS REQUIRED

- Crimping Tool
- Wire Strippers
- Wire Cutters
- Pliers
- Screw Driver

# ASSEMBLY & Mounting Instructions

## TAIL LIGHT MOUNTING ON REAR WINDOW GLASS

**STEP 1:** Insert the (2) suction cups into the BrakeLighter holes as shown in Fig. 1.

**STEP 2:** Slide one or two of the wire sheath(s) over the 10 ft. wire up to the BrakeLighter housing to conceal the multi-color wire, as shown in Fig. 1. This wire sheath is a heat shrunk tubing that can be heated with a hair dryer to shrink around the wire if desired.

**STEP 3:** Mount the BrakeLighter to the rear window from inside with the label side up, as shown in Fig. 1. For now this is temporary and does not have to be centered exactly. The purpose is to mount the BrakeLighter on the window so you can determine which is the best way to route the wire to your brake light(s) or brake light switch.

**STEP 4:** Once the wiring is complete, you can replace the suction cups with the double adhesive dots for a more permanent mounting *or* leave the suction cups and center the BrakeLighter in the window as shown in Fig. 2.

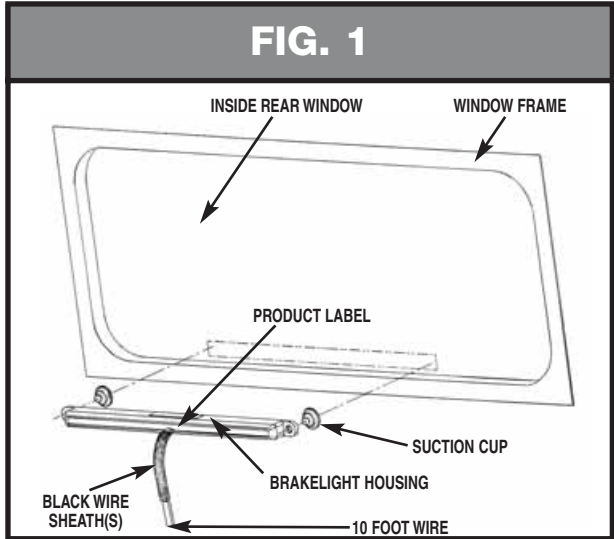
**STEP 5:** For a finishing touch to installation you can cover the suction cup holes with the hole covers as shown in Fig. 2.

**NOTE (1):** Make sure your hands are clean when handling the suction cups. They will not adhere to the glass properly if there is a film of dirt on them. If they become dirty, wash the suction cups with warm soapy solution and dry.

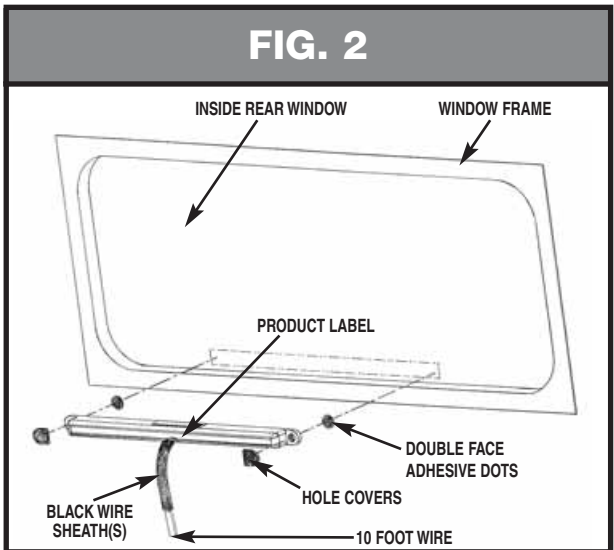
**NOTE (2):** To remove the BrakeLighter with the double adhesive dots from the window use a safety razor blade and slide it between the window glass and the adhesive dots.

**NOTE (3):** The suction cups will be more visible than the adhesive dots. If you are concerned about the BrakeLighter's low profile concealment and are going to leave it permanently in position, then consider using the adhesive dots.

**FIG. 1**



**FIG. 2**



# WIRING

## Instructions

**STEP 1:** If you are concerned about covering the multi-colored wire, make sure the black wire sheath(s) is in place prior to routing the wire.

**STEP 2:** Route the wire to the brake light(s) or the brake light switch, depending on what wiring diagram you are going to use. Take the time to layout the wire and plan how it is all going to connect.

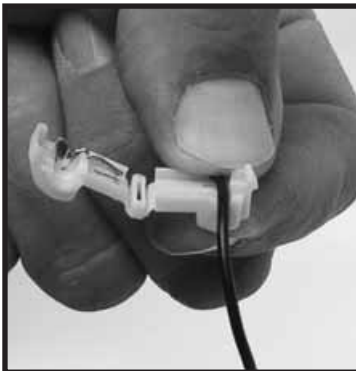
**SUGGESTION:** Allow enough wire, near the window area, so that the BrakeLighter can be mounted in the upper section of the window later on, if desired. You can always tuck the wire away after installation.

**STEP 3:** Split or separate the ends of the 4 lead wire as needed.

**STEP 4:** Use one of the following wiring diagrams (Fig.'s 3 through 5) that is applicable to your car and how you want the BrakeLighter to function.

**NOTE (1):** When connecting a **single** 22-gauge wire to the fork or connector, strip enough of the insulation so that the exposed wire can be folded over or doubled-up for a better grip when compressing the connector with the crimping tool.

**NOTE (2):** If you are using the "T" tap to make a connection to the brake light or brake switch wire then place the wire in the plastic channel of the "T" tap (opposite the metal tab) and close the connector using pliers until it snaps in place as shown below.

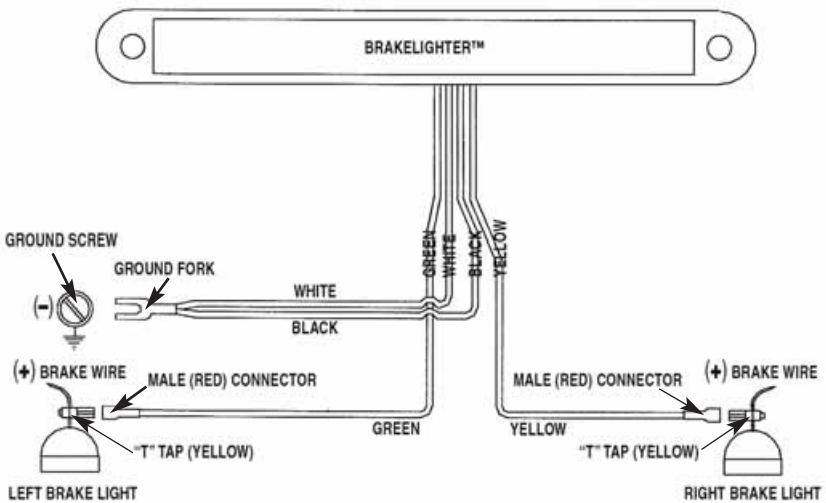


**NOTE (3):** LED's (Light Emitting Diodes) require the correct polarity (+/-) to operate properly. If the light does not work, check to make sure you wired it to the correct polarity.

## FIG. 3

**YOU HAVE:** A 12 volt (negative ground) system with directional signals.

**YOU WANT:** The BrakeLighter™ to function with the brakes and directional signals.



## FIG. 3 RESULTS

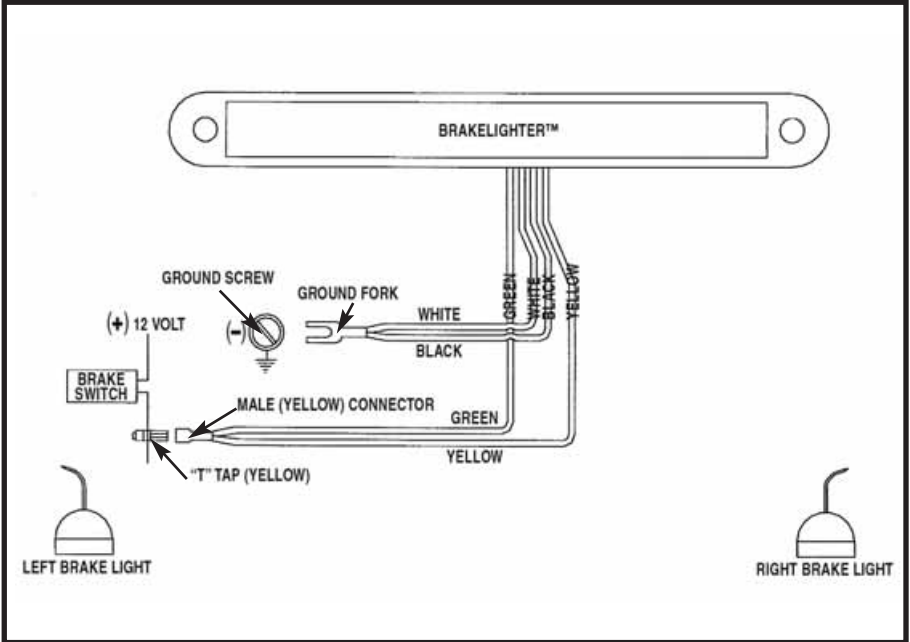
When you use this wiring diagram the BrakeLighter will:

- 1) Turn "on" when you apply the brakes.
- 2) Half of the BrakeLighter will flash either left or right side depending on what direction the signal is activated.
- 3) The entire BrakeLighter will flash when the emergency four way flasher is activated.

# FIG. 4

**YOU HAVE:** A 12 volt (negative ground) system with directional signals.

**YOU WANT:** The BrakeLighter™ to function with the *brakes only*.



## FIG. 4 RESULTS

When you use this wiring diagram the BrakeLighter will:

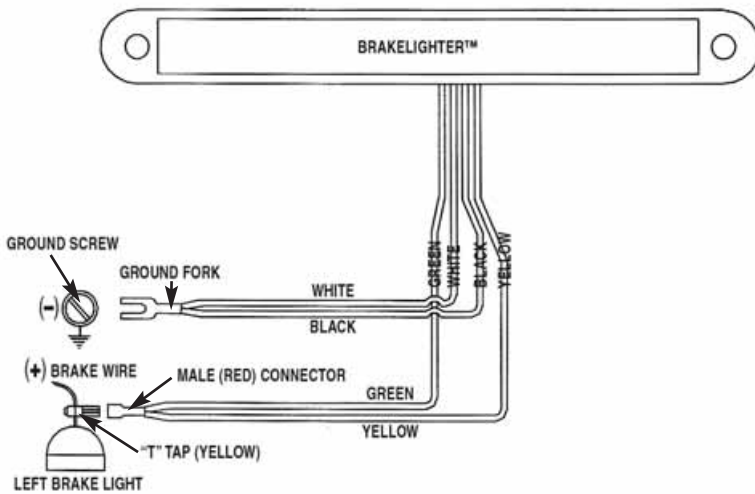
1) Turn "on" when you apply the brakes.

(NOTE: This will operate like a third light only and will not be affected when the directional signal lights are activated.)

# FIG. 5

**YOU HAVE:** A 12 volt (negative ground) system with brake lights only, and it does not have directional signals.

**YOU WANT:** The BrakeLighter™ to function with the brakes.



## FIG. 5 RESULTS

When you use this wiring diagram the BrakeLighter will:

- 1) Turn "on" when you apply the brakes.



**LOW PROFILE THIRD LIGHT FOR CLASSIC CARS**

---

**J & L Enterprises, Inc.**

83 Hopkins Road • Ellington, CT 06029 • Tel: 860-916-3582

Email: [jsbieback@sbcglobal.net](mailto:jsbieback@sbcglobal.net)